



"OVER 55 YEARS OF PRESERVING LOCAL HISTORY"

The Courier

MARCH 2022

VOL. 57, No. 2

A quarterly publication of the Manchester Historical Society, Inc. • 175 Pine Street • Manchester, Connecticut 06040 • 860-647-9983

Manchester Then and Now

by Dave Smith

A new exhibit in our History Center has been under development for the past year and is now ready for viewing. Beginning Saturday, March 26 this new exhibit will be open to the public Wednesday through Friday from 10:00 a.m. to 2:00 p.m. On Saturday it will be open from noon to 4:00 p.m.

The Society was awarded a grant of \$4,999 from Connecticut Humanities last July for use in preparation of the new exhibit. It was matched by donors who more than doubled the value of the grant. We are very grateful for the financial support of Connecticut Humanities and our donors for making this new exhibit possible.

Last year the Society engaged the design firm Content Design Collaborative LLC to guide us

through the planning process, help us to choose which parts of our history to present to the public and finally create the stories and graphics to be used in the exhibit. Exhibit cases were constructed on both sides of the central hallway in Room 2, followed by months of discussions and site visits in the fall and winter with several members of the design firm and a number of our own volunteers and staff.

The main themes chosen for the exhibit include Create Build & Craft, Work & Innovate, Learn, Play & Exercise, Shop & Eat, and Advocate & Push for Change. Artifacts and images have been chosen from our collections to represent these themes, and many have not been on display before. They help to connect our past to the present and how the town and its residents have changed throughout our common history and contributed to our nation's development.



Amazon Smile

You can make a difference when you shop on Amazon.com. Manchester Historical Society is a registered charity with Amazon's foundation, Amazon Smile.

For qualified purchases, a portion of your purchase (0.5%) will be donated to the Manchester Historical Society.

You can register for this program at www.smile.amazon.com.

smile.amazon.com

The Courier

A newsletter of the
Manchester Historical Society

Online at: www.manchesterhistory.org

E-mail: info@manchesterhistory.org

Facebook: www.facebook.com/ManchesterHistoricalSociety

ManchesterHistoricalSociety

Tel. 860-647-9983

OFFICERS

President, Jack Prior
Vice President, Rae Strickland
Secretary, Carol Cafazzo
Treasurer, Gerhard Voggel

BOARD OF DIRECTORS

Dan Kimball
Peter Millett
Stephen Penny
Deborah Simmons
Louis Spadaccini

STAFF

Operations Manager, Gerry Gallo
Office Assistant, Sonya Owen

Design & Printing by Fusion Cross-Media

Drop Us A Line...

You can contact us at
info@manchesterhistory.org

Weekly News

Subscribe using the red rectangle
on the home page of our website.

[Sign up for free e-news](#)

Newsletter Editors

Dave Smith
Bob Kanehl

We Will Miss

Dawn Black, a longtime member of the Society, was active in several other organizations including the Gardening Club and the Square Dance Club.

Jacqueline Britton, together with her husband Jim have been a members of the Society for many years. As well as the Society, she was also a member of Perennial Planters Garden Club and the Nutmeg Quilters Club. Jackie loved nature and gardening.

Sylvia Hadge, long a member of the Society, Sue was active in several other organizations including the Manchester Housing Commission and the League of Women Voters. She also participated in the civil rights marches in Selma, Alabama

Robert Hetzel, and his wife Pat have been Life members of the Society for many years. Bob served in the U. S. Air Force as well as the U. S. Army and later worked at the Travelers Research Center and volunteered with the Hockanum River Linear Park Committee. He had a passion for nature photography.

Dr. Fred Spaulding, Life member of the Society was a well-known and respected orthodontist in town for many years. He served in the U. S. Navy and U. S. Army and volunteered in several local organizations. His passion was conservation and preservation, especially of Case Mountain and Center Memorial Park, which was across the street from his home of many years. Fred loved the outdoors and was often seen about town on his bicycle.

Welcome New Members

We wish to extend a warm welcome to the following new members who joined the Society during the most challenging and historic year of 2021. We hope you will take full advantage of your membership and join us for our upcoming events and visits to our properties.

From Manchester

William Bayer
Arceola Fair-Goin
Susan Mazza
Kenia Rodriguez
Gerhard Voggel

Zachary DelGaize
Stacey Francoline
Jessee Poland
Rae A. Strickland

From Elsewhere

Edward Burzawa – Stafford Springs
David Dangremond – Hartford
George Eknaian – Bolton
David Mortlock – Coventry
Newton Schiebel – Coventry
Doris Timbrell – South Windsor

Jill Capello Casey – South Windsor
Martin Duke – Mystic
Caryn Furbush – East Hartford
Brian Parkany – Glastonbury
Guru Seenivasan – South Windsor

Adam Kramer – Texas
Beth Albrecht – New York
Kathleen Ferguson – New York
Mark Solomon – Pennsylvania
Joel Wind and Alfred Munzer – Washington, DC

Joseph N. Kusmik – Georgia
Alice Boutte – New York
Fred P. Lindsay – Florida
Cathy Topping – Florida

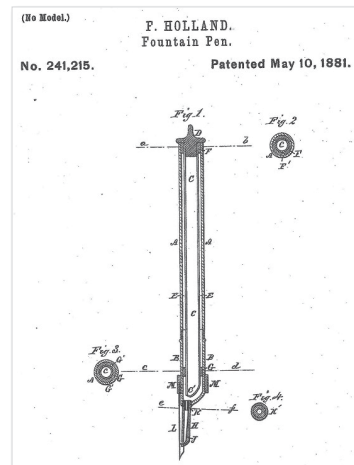
Frank Holland Manchester Inventor

The Manchester Green section of town was not only the location of Manchester's first post office (then Orford Parish of East Hartford) but was also the home of several inventors in the early 1800's.

Frank Holland came to Manchester and became a teacher at the Green School in the 1870's. About 1880 he began to tinker with the idea of solving the issue of making an ink pen that would allow shading of the line work. His first patent (filed with the United States Patent Office in September 1880 and granted in January 1881) was for a "Stylographic Pen" that was designed to prevent the uncontrolled discharge of ink. It also allowed for the refilling of the reservoir inside the pen with ink directly from a bottle or inkstand.

Holland continued to tinker and improve on his idea, and even before his first patent was issued he submitted (in December 1880) his idea for a fountain pen that could provide a continuous supply of ink. Previous pens could supply ink to the nib but not in a controlled manner, as sometimes the point would be overloaded and a drop would fall off, causing blotting. At other times when rapid writing was done, insufficient ink would flow to the point. This patent was granted in May 1881.

At some point he moved to New York and manufactured pens there. He engaged, as a salesman, Lewis E. Waterman. It seems that this new invention did not completely solve the blotting problem. Soon thereafter, Holland abandoned the enterprise and Waterman took over and further improved on the fountain pen. Waterman was granted a patent in 1884 that did solve the blotting problem. Holland was reported to have gone to the Klondike in search of gold. No further news of Holland has been found. Waterman was very successful with his new idea and until the advent of the ball point pen many years later, Waterman pens were the best known fountain pens.



Holland Fountain Pen

Seasons at the Woodbridge Farmstead *Spring is on the Way!*

By Peggy Newton

It has been a cold, windy and snowy winter at the Farmstead. But a sure sign of spring is the recent appearance of blooming crocuses in the front garden of the farmhouse spotted by a keen observer. The Woodbridge Farmstead committee has been meeting in the toasty warm house planning for our Open Houses, which will run from May through October on the second and fourth Sundays each month.

We are all excited to be planning events at the Farmstead's new addition, the Visitor Center, which was constructed last year using structural members from an old barn that stood in the northern part of town. The Center will be equipped with electricity and a handicap accessible bathroom. This year we are planning events and displays in the new Center showing what life was like when Manchester Green was the center of village life in Orford Parish.

In spite of this winter's harsh weather, the condition of the farmhouse has been inspected and

assessed by a team of professionals, culminating in an extensive Conditions Assessment Report. This was requested by the committee last year and will serve as a blueprint for future projects and improvements to ensure that the farmhouse will be around for many years as an historical treasure. With the findings in hand we have started work on repairing the house's rubble stone foundation. Other projects recommended are roof repair, painting the exterior of the house and window repair/replacement.

It's an exciting time to be a volunteer here. If you want to join the FUN as a Farmstead volunteer there are so many areas that you might enjoy, such as greeting visitors, event planning, gardening, farmhouse and barn tours, workshop projects and many more! Please call Peggy Newton, Farmstead chair at 860-305-7310 or email peggynewton47@att.net or call the History Center at 860-647-9983.

Calendar of Events

Face Mask Policy: Face masks are recommended when visiting all of our properties.

Old Manchester Museum at 126 Cedar Street, is open the first Saturday of the month, from 10:00 a.m. to 2:00 p.m. May through December. It is also open by appointment and for research. Please phone 860-647-9983.

History Center Office, Museum Store and exhibits at 175 Pine St., open Wednesday to Friday from 10:00 to 2:00 and Saturday noon to 4:00 p.m. (phone 860-647-9983), are located in the former Cheney Machine Shop.

Cheney Homestead and Keeney Schoolhouse at 106 Hartford Rd. are open the second Sunday of the month from 1:00 to 4:00 p.m. An early American home (ca. 1785) with period art and furniture. The schoolhouse is a recreation/restoration of one of Manchester's earliest one room schools.

Woodbridge Farmstead at 495 Middle Turnpike East, open the second and fourth Sundays of the month from 12 noon until 2:00 p.m. An 1830 house and late 1700's barn on the site of the former Meadowbrook Dairy. Early farm equipment on display along with a sleigh and pony wagon. Also a new Visitor Center with displays of the history of Manchester Green. Visitors can park at the municipal lot behind the Senior Center or along the side street to the east of the farmstead. For special events hours may be longer.

History Center exhibit "Then and Now" open Wednesday through Friday from 10 a.m. to 2:00 p.m. and Saturday noon to 4:00 p.m. (except holidays) beginning March 29. This new exhibit showcases the rich history of Manchester.

Sunday, March 13 from 1:00 p.m. to 4:00 p.m. Cheney Homestead open

Sunday, April 10 from 1:00 p.m. to 4:00 p.m. Cheney Homestead open

Sunday, May 8 Mothers' Day from 1:00 p.m. to 4:00 p.m. Cheney Homestead open

Sunday, May 15 from 12 noon to 2:00 p.m. Woodbridge Farmstead open Today we will celebrate the Grand Opening of our new Visitor Center, highlighting the Manchester Green area and its history.

Saturday, June 11, Connecticut Open House Day, Manchester museums open free 11 to 3:

- History Center at 175 Pine, the former Cheney machine shop and loom room
- Cheney Homestead & Keeney Schoolhouse at 106 Hartford Road
- Old Manchester Museum at 126 Cedar Street with displays of Cheney Brothers, Bon Ami Soap Co., Spencer rifles and much more
- Woodbridge Farmstead barn, house and grounds, at 495 East Middle Turnpike at Manchester Green with its 18th century barn and new visitor center showing the history of Manchester Green
- Pitkin Glass Works at the corner of Parker and Putnam Streets, where glass experts will be available to answer questions. Pitkin glass items will be available for purchase and archaeological digs available for children supervised by their parents



To Our Readers

If there is something you would like us to write about, please contact Dave at 860-647-9742 or at info@manchesterhistory.org.

"Women of the Cheney Homestead" Margaret Swan Cheney and the Appalachian Mountain Club

By Pete Millett

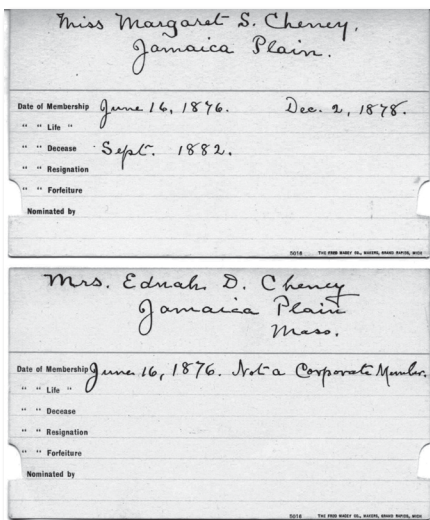
As part of our ongoing research into the women who lived at the Cheney Homestead, we want to share some exciting information we have recently discovered.

On June 16th 1876, Margaret became one of the founding members of the Appalachian Mountain Club. She was one of about 30 initial members who joined this first of its kind organization concerned with better understanding the natural environment of New England. The social responsibility instilled in Margaret by her mother Ednah, plus her own botany and chemistry studies at MIT, and her exposure to a sense of artistic beauty made this an important organization for her interests.

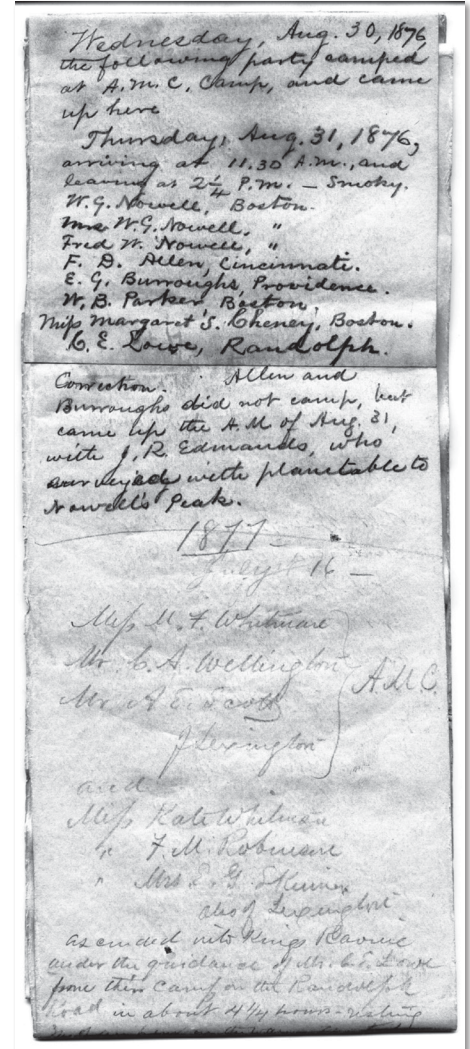
According to Becky Fullerton, historian and archivist of the Appalachian Mountain Club (based at the Highland Center in Crawford Notch in the White Mountains), people of the time were just beginning to appreciate and were desiring to preserve the natural environment around them. Article II of the club's founding constitution states: "The objects of the Club are to explore the mountains of New England and the adjacent regions, both for scientific and artistic purposes; and, in general, to cultivate an interest in geographical studies".

Becky shared with us the founding membership card of Miss Margaret S. Cheney (20yrs old) along with information from the first AMC journal from 1876, "Appalachia". Also, a registry book entry from the Mount Adams AMC summit camp from August 31, 1876 lists Margaret as one of those who camped and explored the area.

We plan to visit the Highland Center in the Spring to meet with the AMC historian and gather more information about this important early environmental club and specifics of Margaret's involvement with it; plus to gather more information and artifacts for our exhibit of the "Women of the Cheney Homestead".



Membership Cards



Mount Adams Summit Register

Genealogy Group Meetings

The Genealogy Group is currently looking for someone who would be interested in planning and organizing our monthly meetings. In the past meetings have been held on the second Tuesday of the month from 10:00 am to noon during the months of February through June and September through November. No meetings are held July, August, December and January. If you are interested or would like more information please contact Debby Bailey at debbyhannahbailey@gmail.com.



The Manchester Historical Society
175 Pine Street
Manchester, Connecticut 06040

Non-Profit Org
U.S. Postage
PAID
Hartford CT
Permit No 5101

ADDRESS SERVICE REQUESTED

Your Membership Expires on:

MANCHESTER HISTORICAL SOCIETY MEMBERSHIP FORM

Please fill out this form, and mail it with your check to:

The Manchester Historical Society, 175 Pine Street, Manchester, CT 06040

Name: (Mr.) (Mrs.) (Miss) _____ Date: _____

Address: _____

City/State/Zip: _____

Home Phone: () _____ Email: _____

- | | | | | | | |
|--------------------|--|-------|--------------------------------------|---------|--|-------|
| Type of Membership | <input type="checkbox"/> Individual | \$25 | <input type="checkbox"/> Family | \$50 | <input type="checkbox"/> Contributing Individual | \$60 |
| | <input type="checkbox"/> Senior Individual (65+) | \$20 | <input type="checkbox"/> Couple | \$40 | <input type="checkbox"/> Contributing Family | \$100 |
| | <input type="checkbox"/> Student (under age 18) | \$5 | <input type="checkbox"/> Life Couple | \$1,000 | <input type="checkbox"/> Corporate | \$500 |
| | <input type="checkbox"/> Life Individual | \$500 | | | | |

I would like to make an additional contribution for

- | | | | |
|---|----------|---|----------|
| <input type="checkbox"/> Manchester Historical Society Building Fund | \$ _____ | <input type="checkbox"/> Woodbridge Farmstead Endowment | \$ _____ |
| <input type="checkbox"/> Manchester Historical Society Endowment Fund | \$ _____ | <input type="checkbox"/> Keeney Schoolhouse Fund | \$ _____ |
| <input type="checkbox"/> Cheney Homestead Endowment | \$ _____ | | |
| <input type="checkbox"/> Annual Appeal | \$ _____ | | |
| <input type="checkbox"/> I have enclosed a matching gift form | | | |

Make checks payable to: Manchester Historical Society